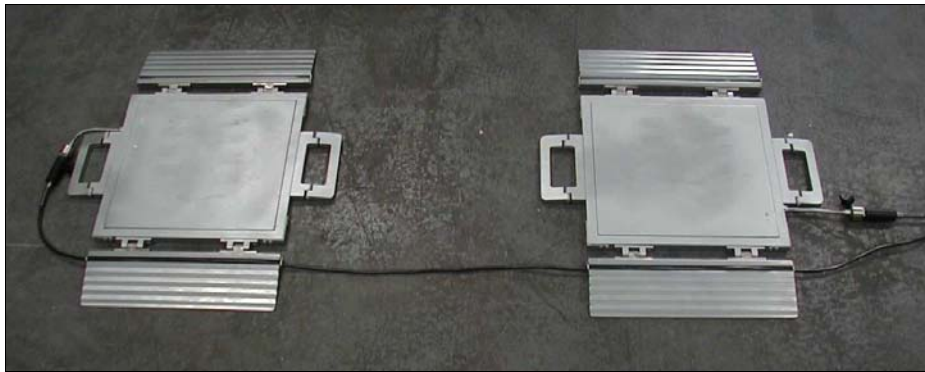
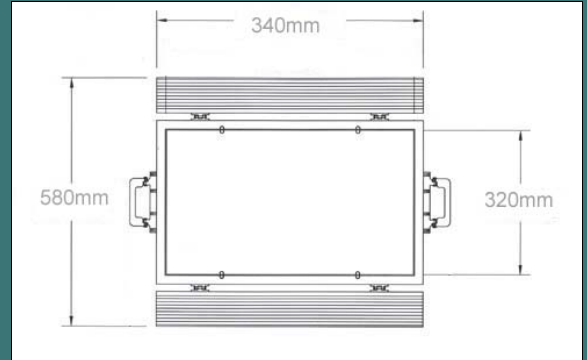
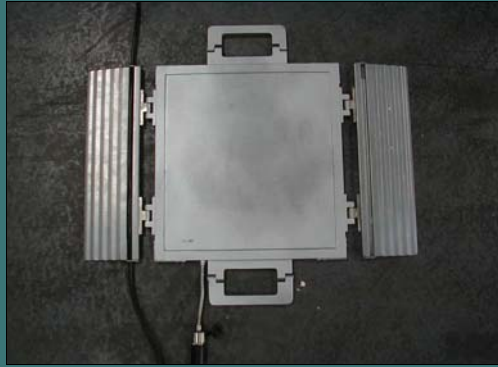


VALUEWEIGH

ULTRA LOW PROFILE AXLE PADS



- ◆ These **ULTRA Low Profile AXLE PADS** are ONLY **16mm HIGH**.
- ◆ Each pad has a capacity of 5 Tonnes and comes complete with two ramps.
- ◆ Dimensions of the **VWAPS** are 340mm L x 320mm W x 16mm H
(Excluding both ramps)
- ◆ Construction is from a lightweight material used in aircraft construction
 - ◆ Weight of pad only 7.2kg
 - ◆ Weight of pad and ramps only 9.3kg.



RATED CAPACITY: UP TO 5 TONNE PER PAD

HIGH STRENGTH ALUMINIUM ALLOY

STATIC ACCURACY: 0.25% FULL SCALE OR BETTER

DYNAMIC ACCURACY: +/- 1% OF FULL SCALE WITH
LEVELLING TRACK

DYNAMIC ACCURACY: +/-3% OF FULL SCALE WITHOUT
LEVELLING TRACK

OVERLOAD CAPACITY: 200% FULL SCALE

INPUT/OUTPUT RESISTANCE: 560 ohms +/- 50 ohms

OUTPUT: 0.6 TO 1.0 Mv/v

EXCITATION: 5 TO 24 VDC

STABILITY: 0.5% FULL SCALE/YEAR

GROUND LEVEL REQUIREMENTS: <5mm WITHIN 0-4m

OPERATING TEMPERATURE: -10 TO +50 DEGREES C



For more information please contact:

AWM LIMITED

Unit 17/18 Mercers Road, Chapel Pond Hill,
Bury St Edmunds, Suffolk, IP32 7HX



Tel: 01284 701222 Fax: 01284 703559

Web Site: www.awmltd.co.uk Email: sales@awmltd.co.uk